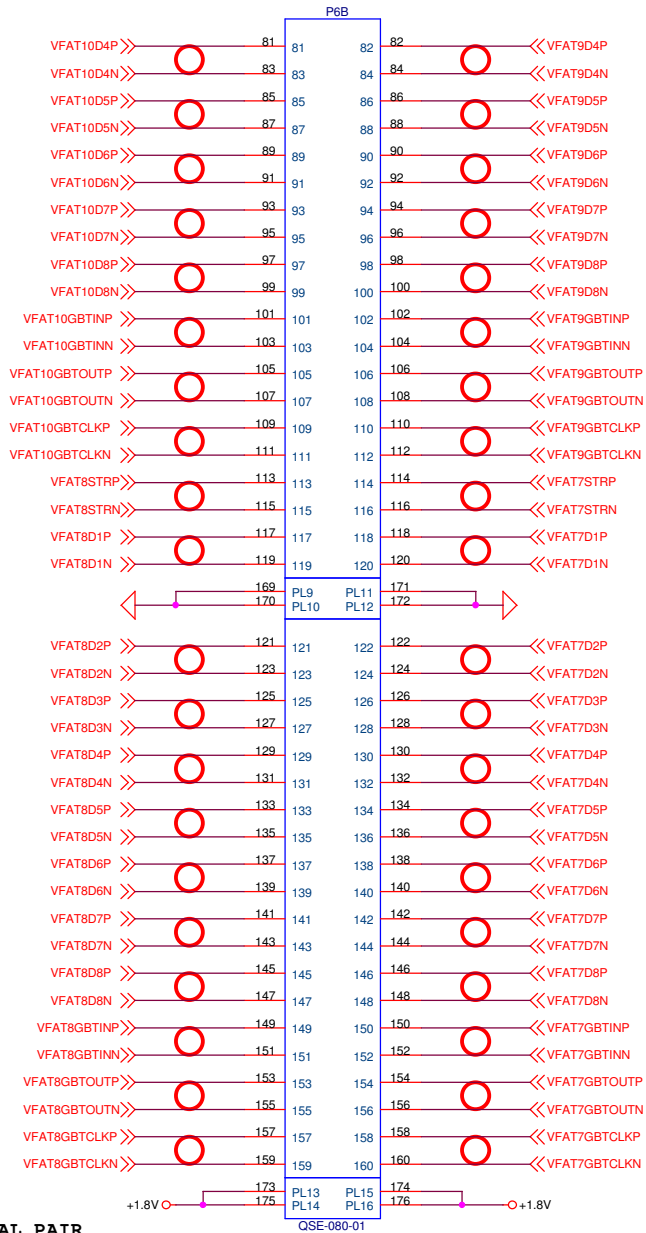


DIFFERENTIAL PAIR



**REVISED  
P6  
CONNECTOR  
JULY 5,  
2018**

Title		
GEB CONNECTOR 2		
Size	Document Number	Rev
B	<Doc>	1.0
Date:	Thursday, August 23, 2018	Sheet 11 of 11