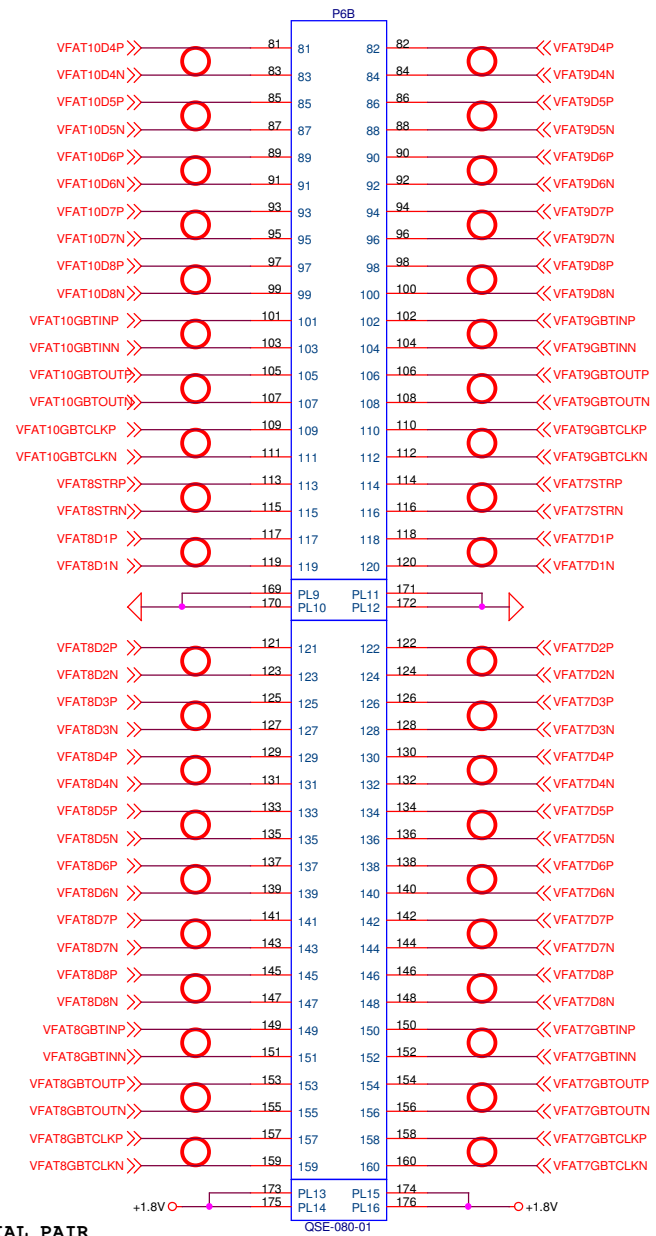


DIFFERENTIAL PAIR



Title			GEB CONNECTOR 2		
Size	Document Number		Rev		
B	<Doc>		1.0		
Date:	Wednesday, April 03, 2019	Sheet	12	of	12