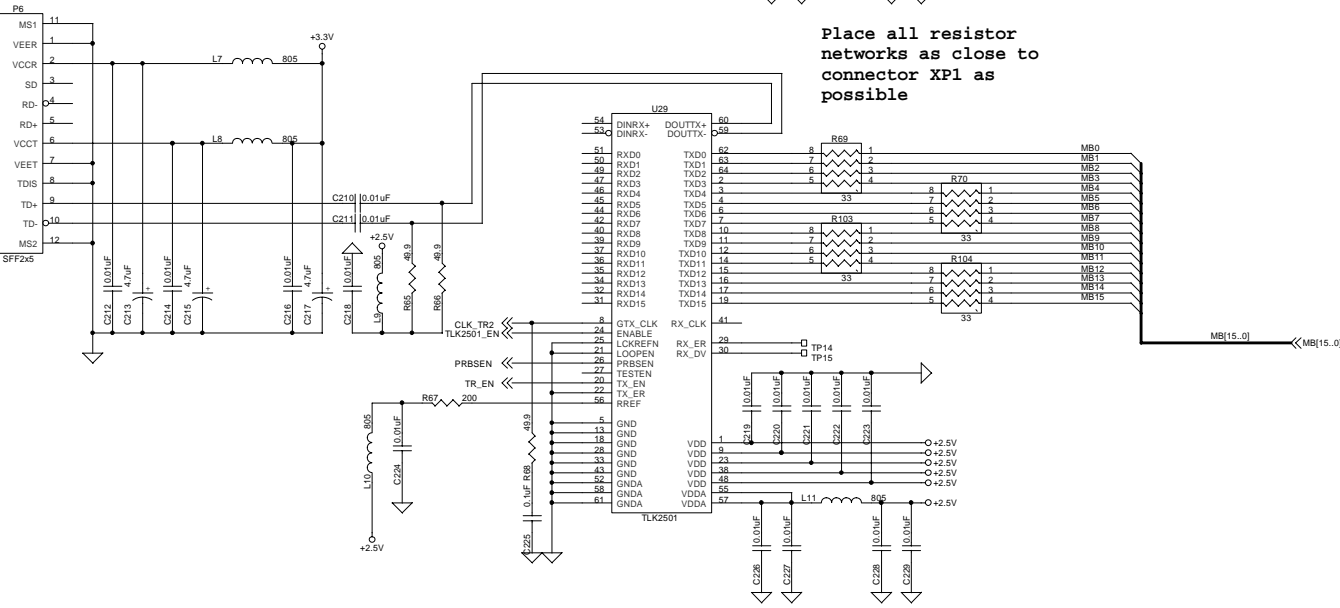
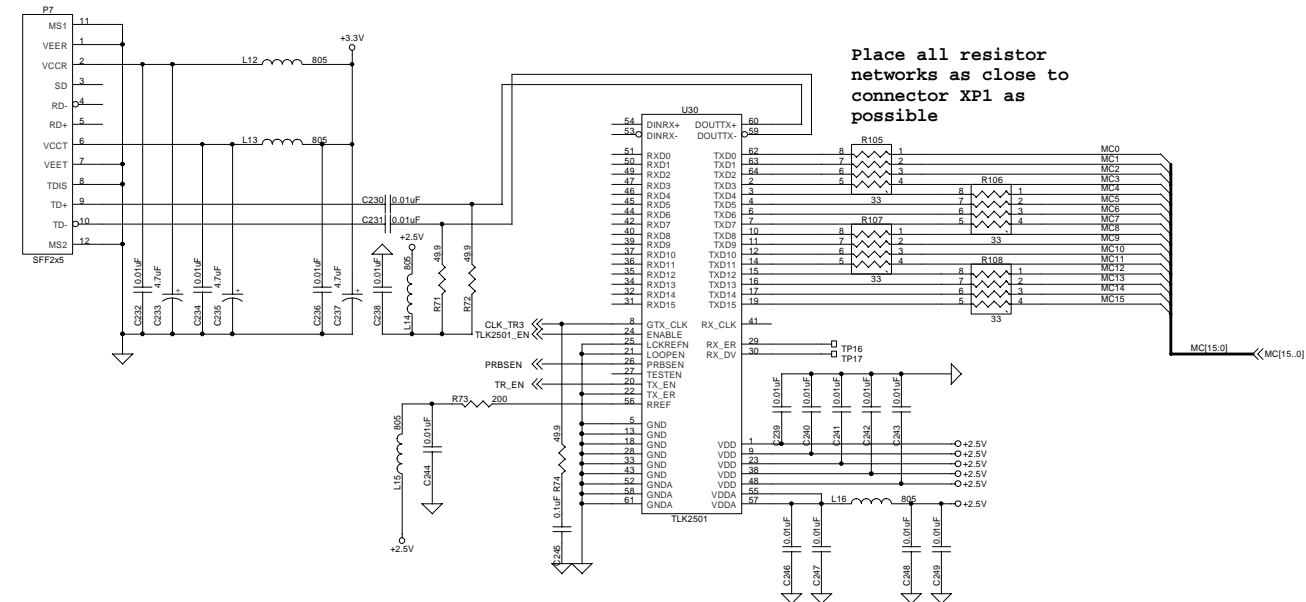


Place all resistor networks as close to connector XP1 as possible



Place all resistor networks as close to connector XP1 as possible



Place all resistor networks as close to connector XP1 as possible